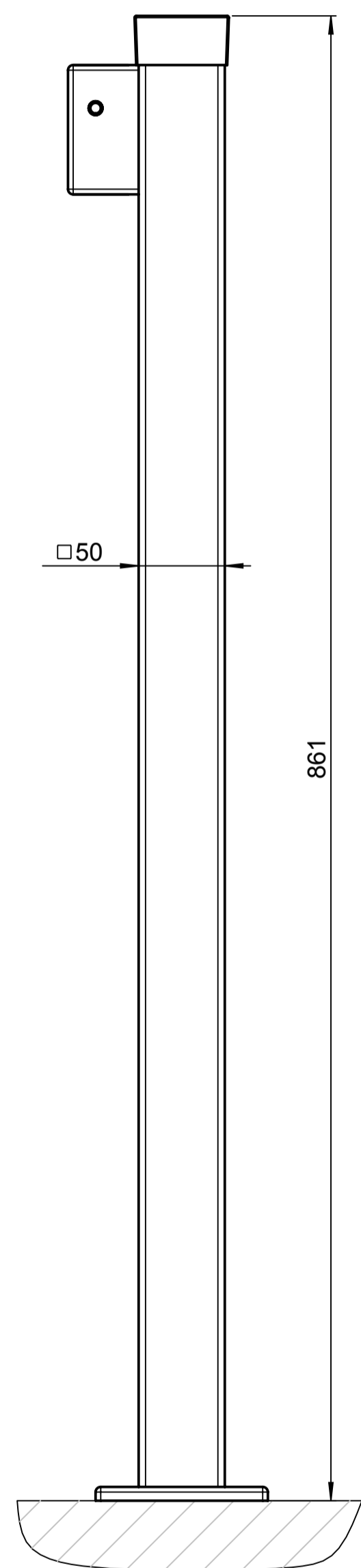
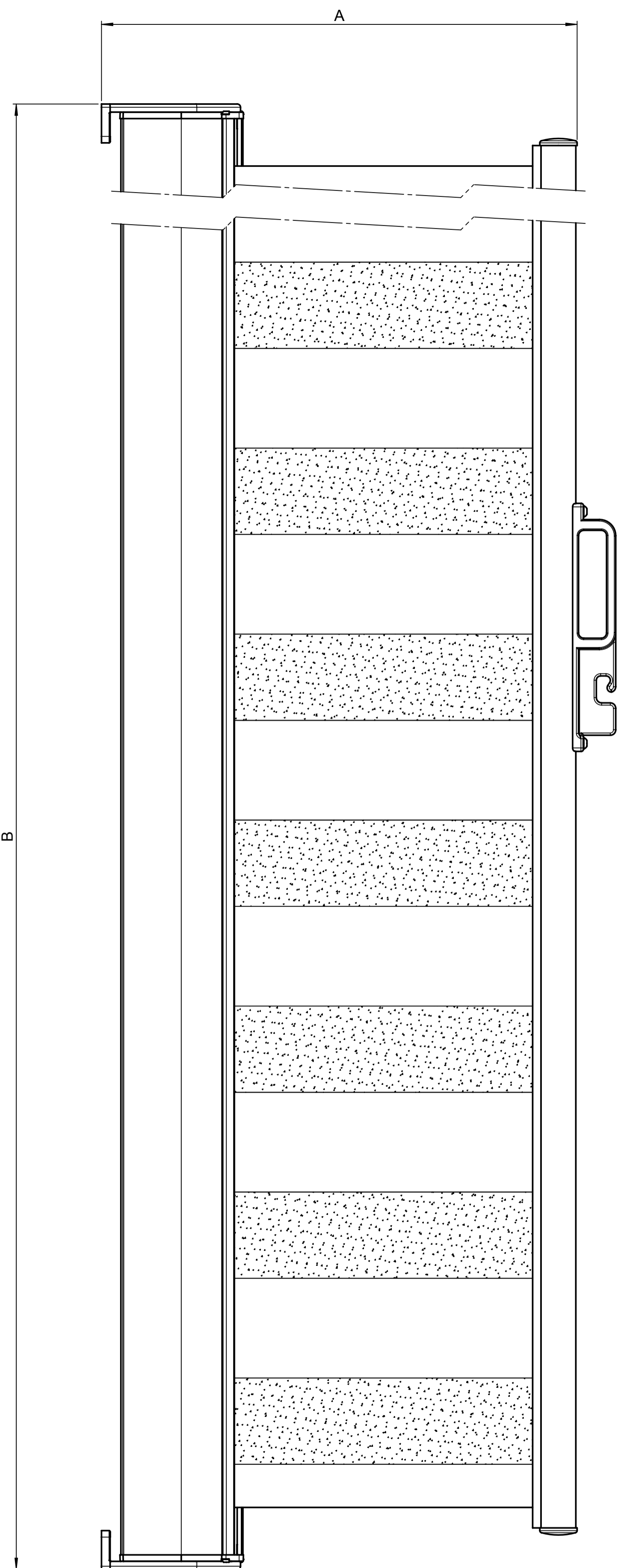
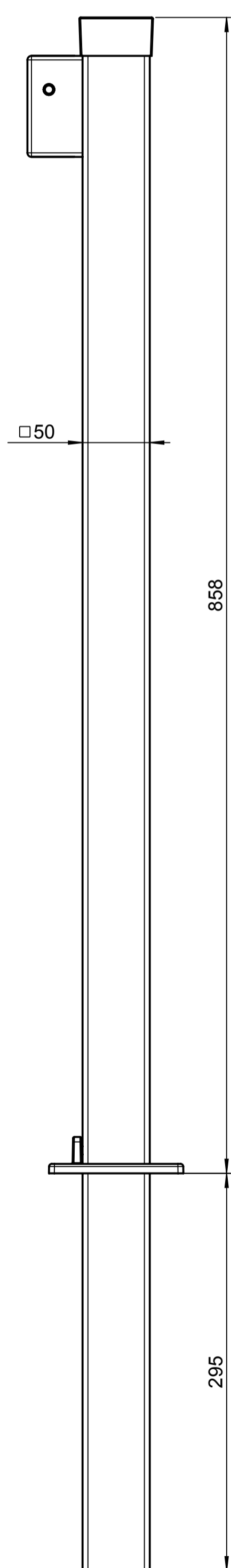
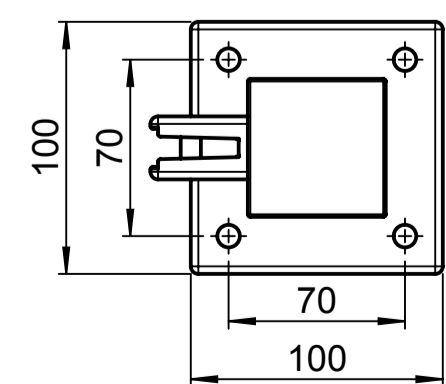


All rights reserved. No part of this document may be reproduced, stored in a retrieval system, or transmitted, in any form or by any means, electronic, mechanical, photocopying, recording, or by any information storage and retrieval system, without prior written permission from STOBAG.

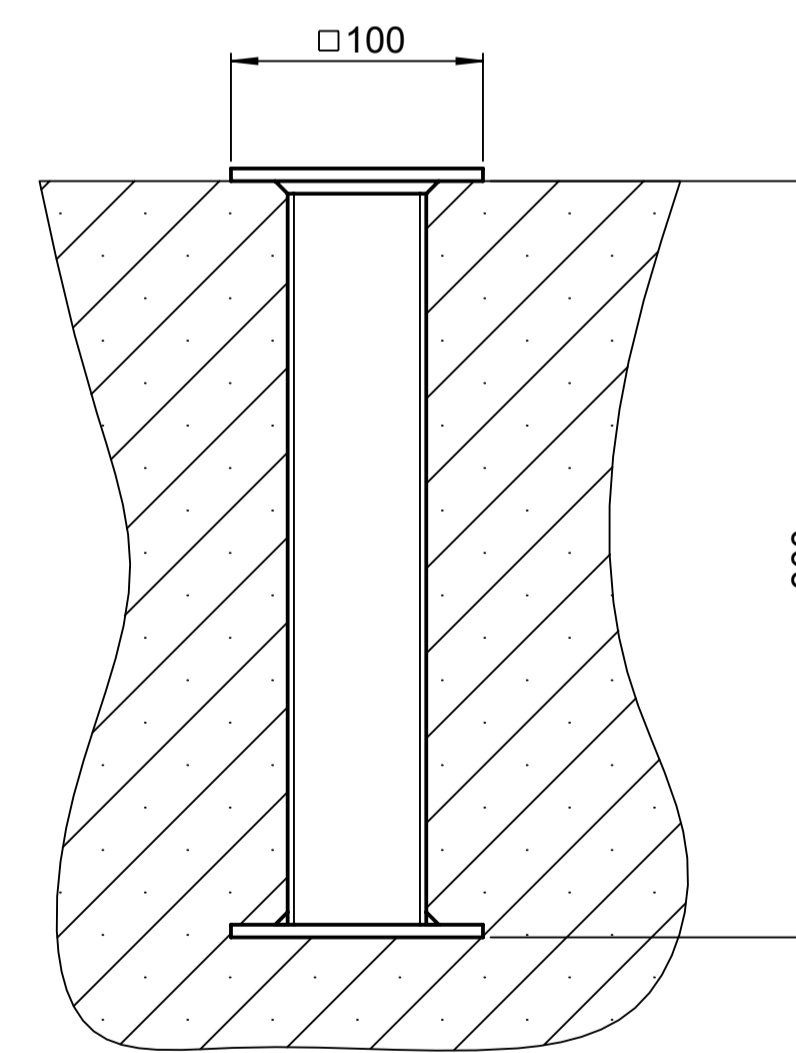
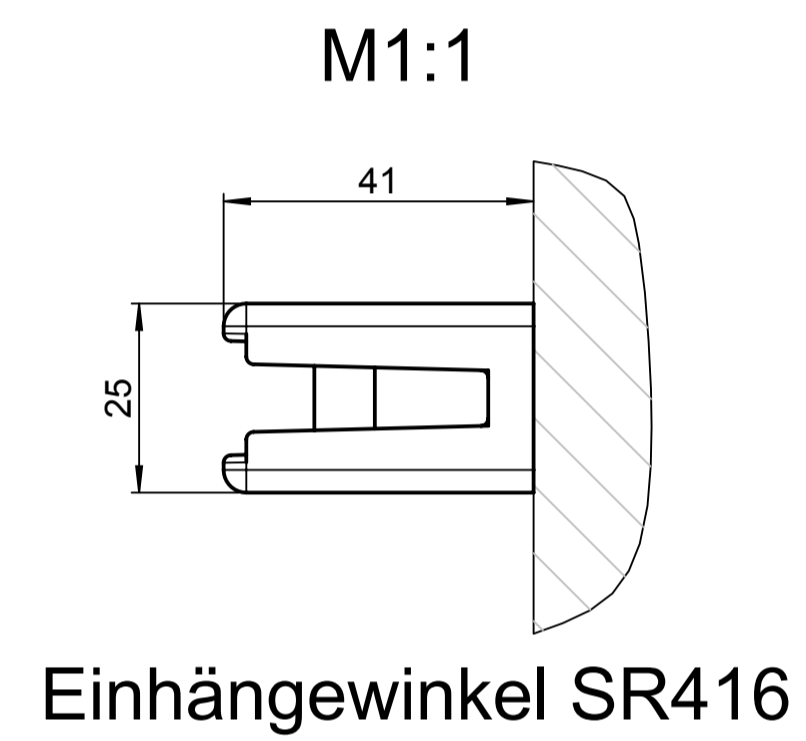
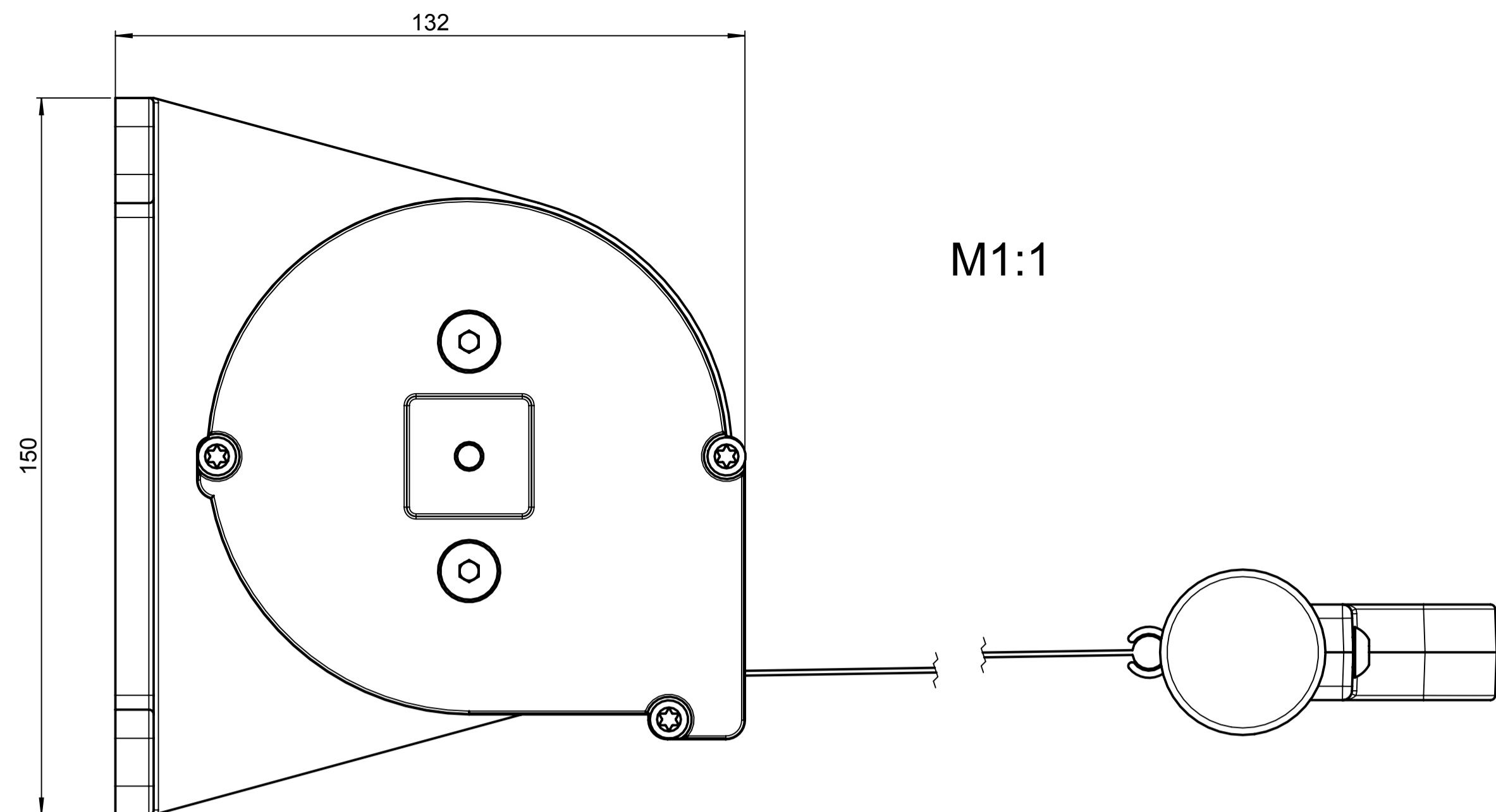
Alle Masse in millimeter



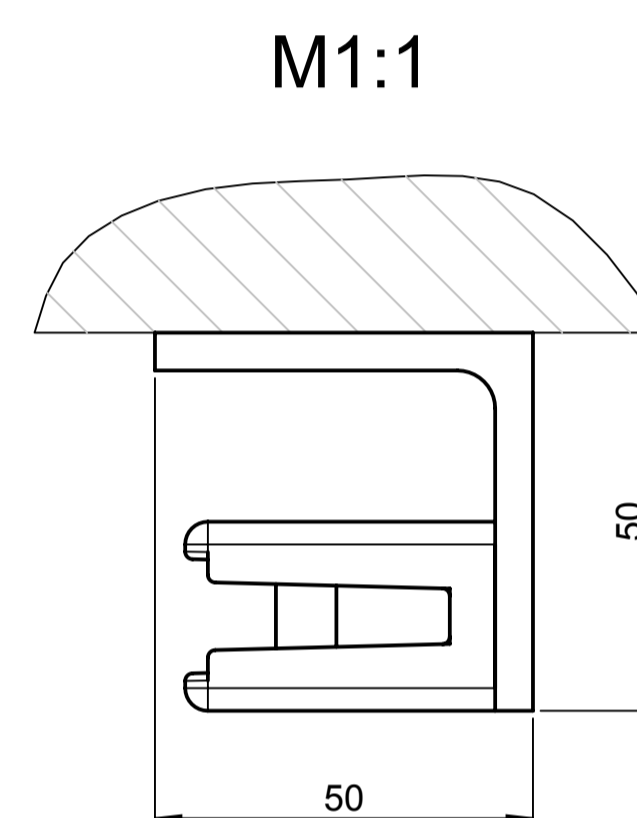
Aufschraubpfosten SR415/1



Einsteckpfosten SR414/2



Bodenhülse SR413/2



Einhängewinkelsatz SR418

Ausladung A [mm]
1000
1500
2000
2500
3000
3500
4000

Breite / Höhe B [mm]
1200
1500
1800
2000