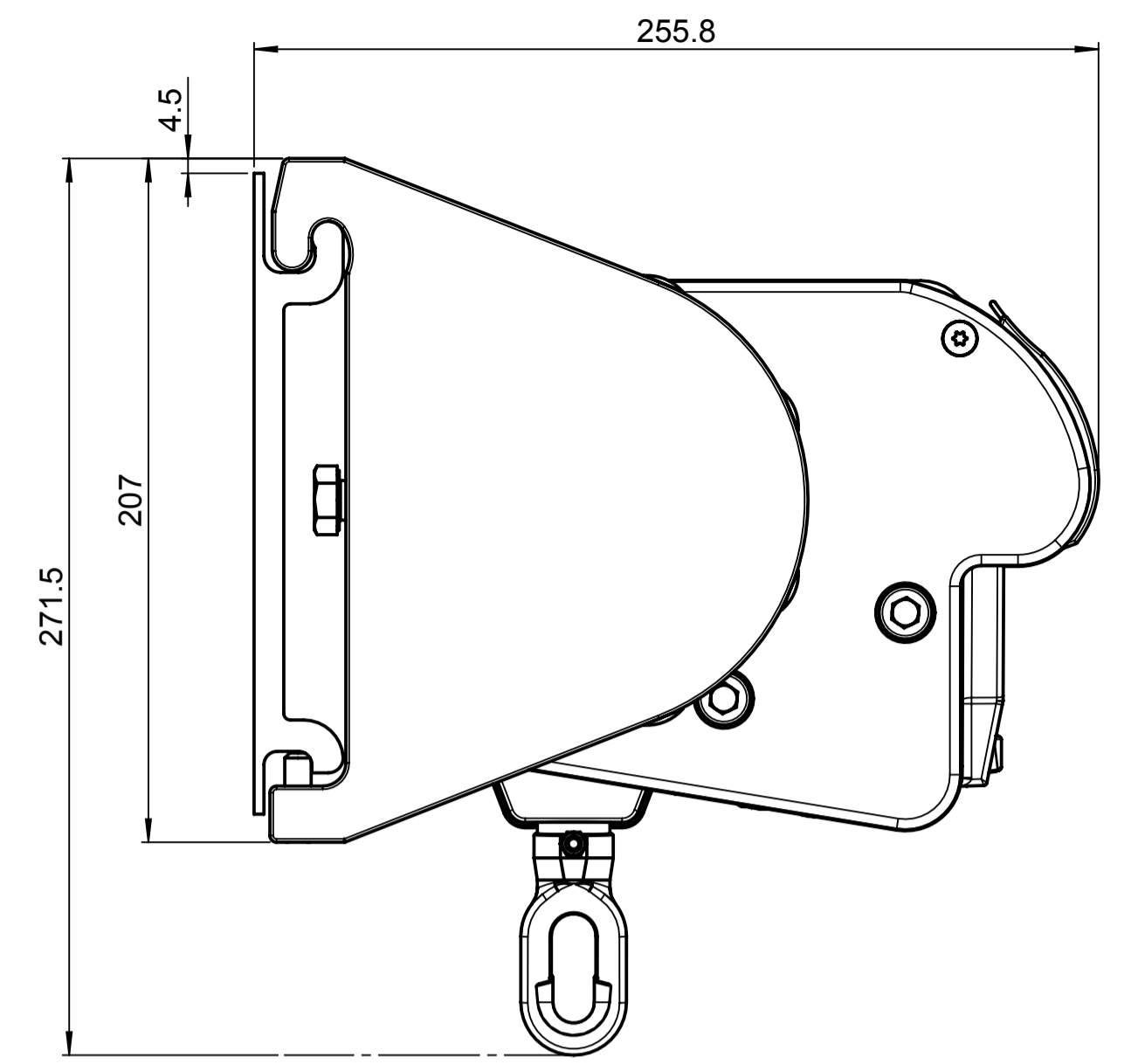
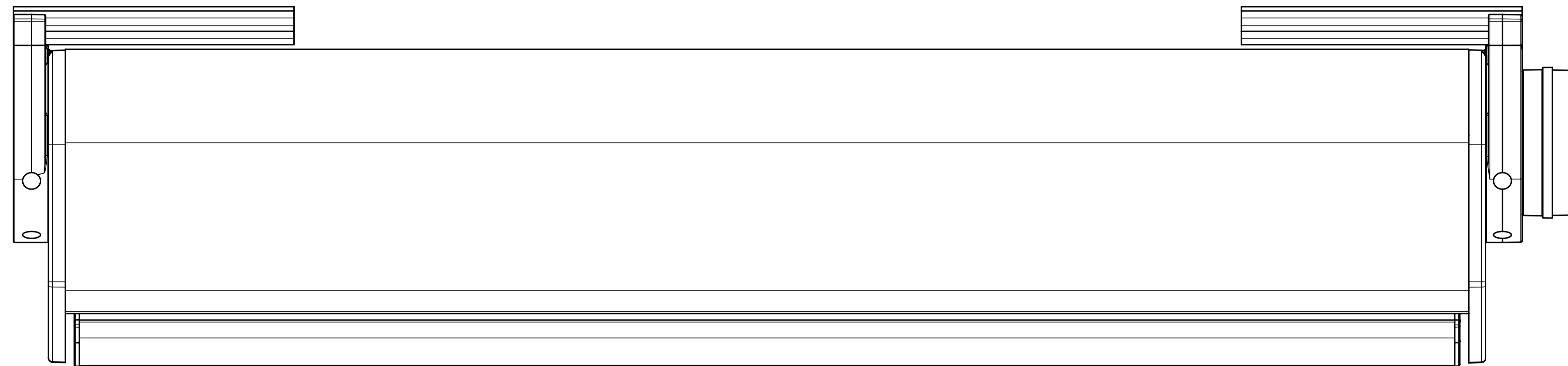


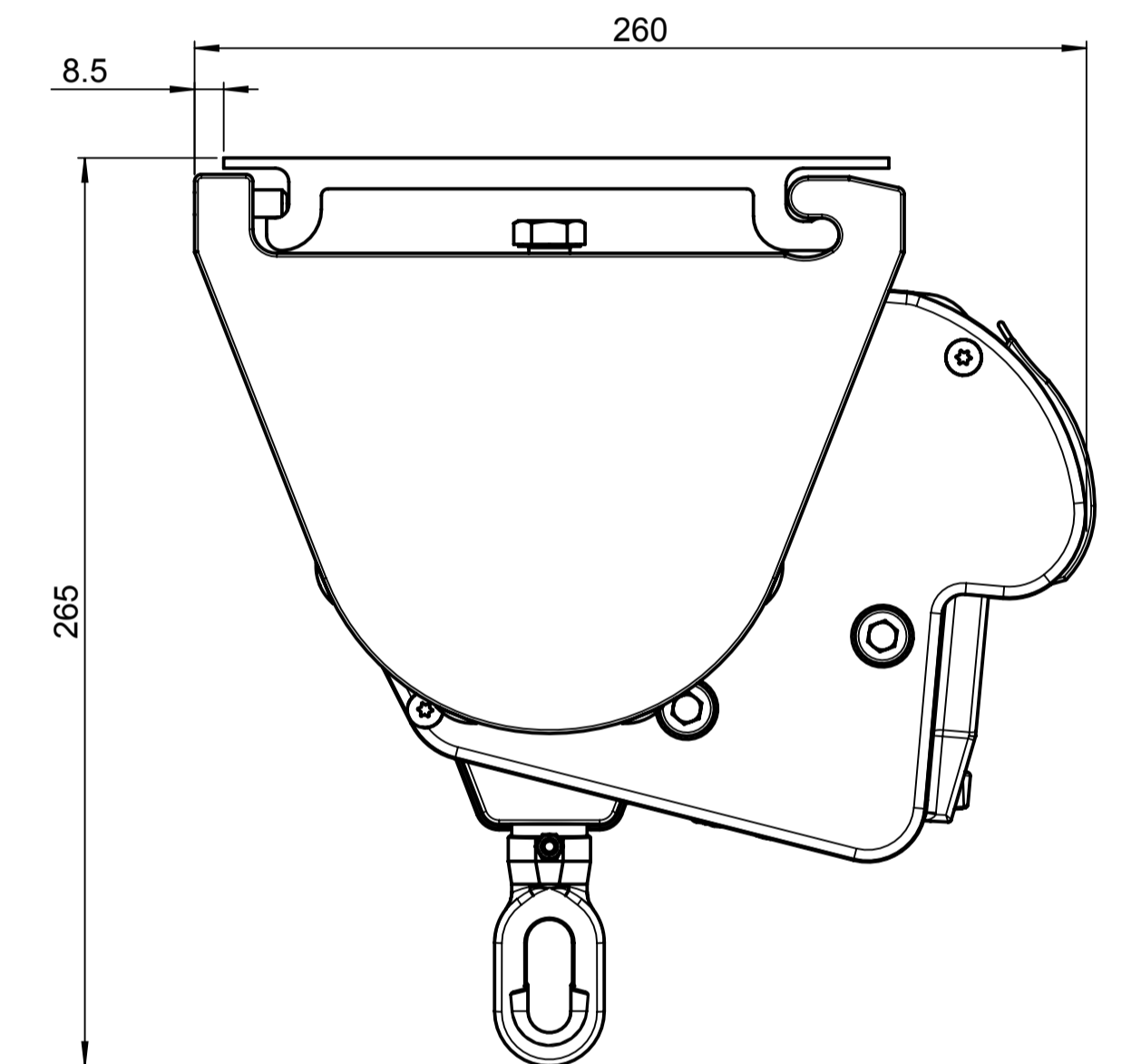
Ansicht von aussen



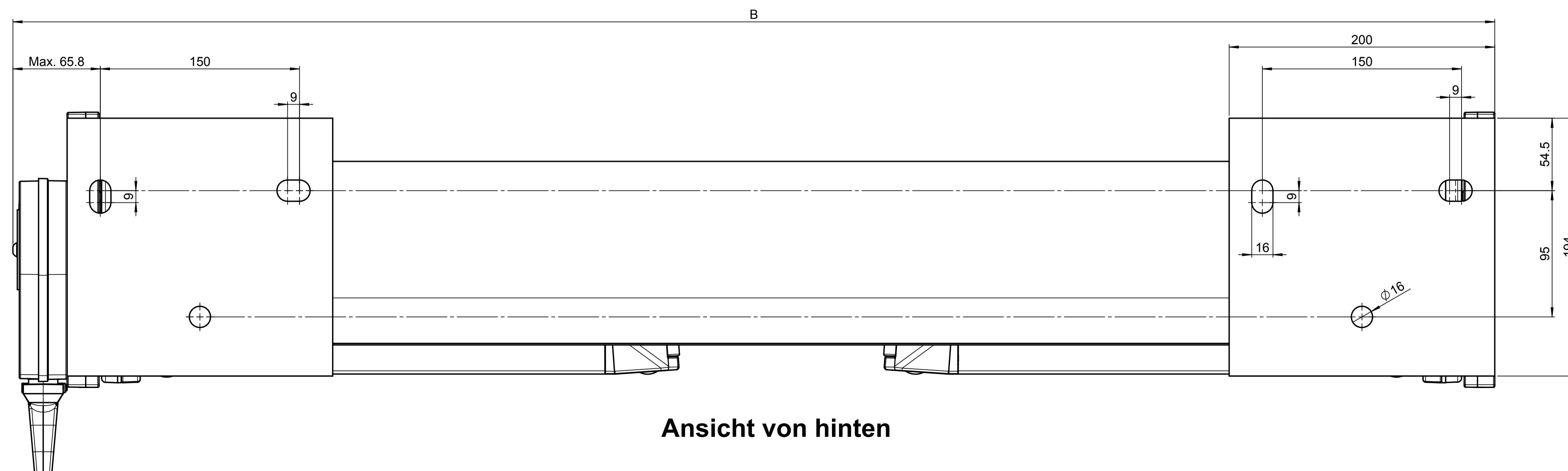
Wandmontage



Ansicht von oben



Deckenmontage



Ansicht von hinten

| Ausladung A [mm] | Minimalbreite B [mm] |
|------------------|----------------------|
| 1500 | 1920 |
| 2000 | 2540 |
| 2500 | 3020 |
| 3000 | 3620 |
| 3500 | 4140 |

Alle Masse in millimeter
 All dimensions in millimeter
 Reproduction, use or disclosure in third parties without express authorizing is strictly forbidden.
 © 2008 Stobag, CH-6050 Muttenz, Switzerland

Alle Masse in millimeter